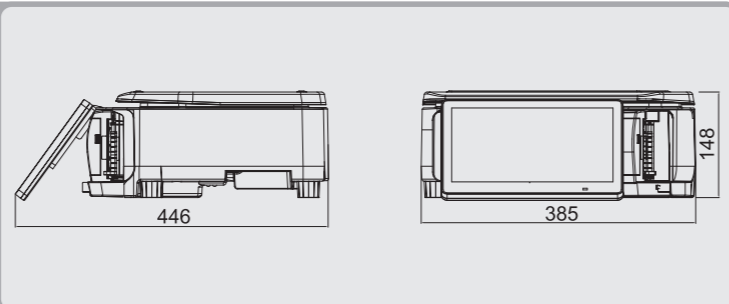
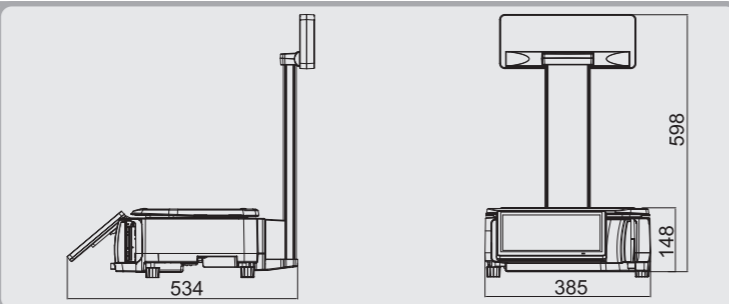


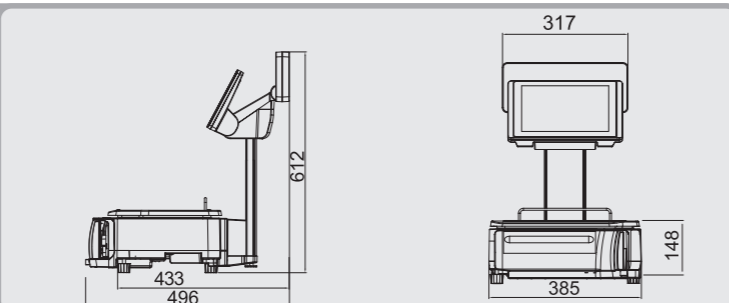
RM-5800B



RM-5800P



RM-5800EV-B



Basic Specifications

Model	RM-5800B	RM-5800P	RM-5800EV-B
Capacity	3/6kg	6/15kg	15/30kg
CPU	J1900 2.0GHz		
Memory	4G DDR3L (Up to 8GB)		
Storage	Onboard 32G eMMC (Option: additional 120G SSD)		
OP Display	10.1 inches 1024*600 pixels TFT LCD with Resistive Touch panel		
Cust Display	7 inches 800*480 pixels TFT LCD		
Printer	High reliability thermal head printer Resolution : 300 dpi Paper Width : 80mm (receipt)/80mm(label) Printing Width : 73mm Printing speed : Maximum 110 mm / sec. Life span : 100 million pulses, 100km or more		
I/O	1 x RJ9 Cash Drawer, 1x RJ45, 1x RS232, 4 x USB 2.0		
Power Source	AC176V~264V, 50/60Hz		

*Specifications are subject to change without prior notice.



RM-5800 series

MAXLABEL

Powerful partner in your retail business



SHANGHAI TERAOKA ELECTRONIC CO., LTD.

Tinglin Industry Developmental Zone,
 Jinshan District, Shanghai 201505
 TEL: +86-21-57234888
 FAX: +86-21-57233049
<http://www.digisystem.com>

Searching for
 a New Balance